

Stack Guide

Serena® Remote Controlled Shades

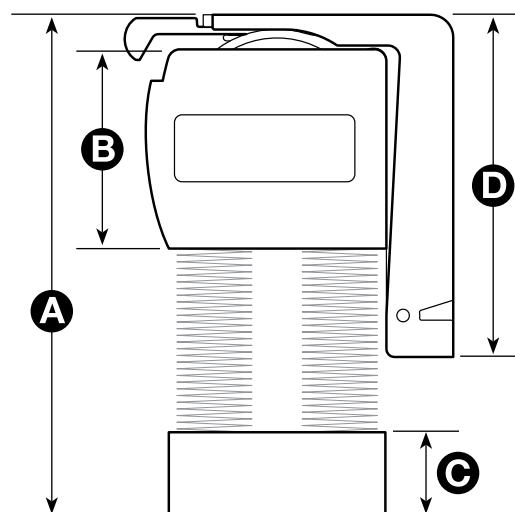
Use these stacking guidelines if you plan on installing your Serena shade in a place where you need to raise the entire shade above an obstacle (such as above doors that open). These guidelines will help you determine how high to mount your shade, so that the shade will clear the obstacle when it's fully raised.

A = Stack height: the total height of the fully raised shade from the top of the bracket to the bottom of the bottom rail

B = 1 5/8 in. (42 mm)—headrail height

C = 5/8 in. (16 mm)—bottom rail height

D = 2 5/8 in. (67 mm)—bracket height



Dimensions for A

Your Shade Height	Cyprus		Monaco and Rio			Designer Collections		
	Light-Filtering	Room-Darkening	Light-Filtering	Room-Darkening	Double-Cell	Napa	Sedona	Prague
1 ft.	2 3/4 in. (70 mm)	2 7/8 in. (74 mm)	2 7/8 in. (74 mm)	2 7/8 in. (74 mm)	3 1/8 in. (80 mm)	3 in. (77 mm)	2 3/4 in. (70 mm)	2 3/4 in. (70 mm)
2 ft.	3 in. (77 mm)	3 in. (77 mm)	3 1/8 in. (80 mm)	3 1/8 in. (80 mm)	3 1/2 in. (89 mm)	3 3/8 in. (86 mm)	2 7/8 in. (74 mm)	3 in. (77 mm)
3 ft.	3 1/8 in. (80 mm)	3 1/4 in. (83 mm)	3 3/8 in. (86 mm)	3 3/8 in. (86 mm)	3 7/8 in. (99 mm)	3 3/4 in. (96 mm)	3 1/8 in. (80 mm)	3 1/4 in. (83 mm)
4 ft.	3 3/8 in. (86 mm)	3 3/8 in. (86 mm)	3 5/8 in. (93 mm)	3 5/8 in. (93 mm)	4 1/4 in. (108 mm)	4 1/8 in. (105 mm)	3 1/4 in. (83 mm)	3 1/2 in. (89 mm)
5 ft.	3 5/8 in. (93 mm)	3 5/8 in. (93 mm)	3 7/8 in. (99 mm)	3 7/8 in. (99 mm)	4 5/8 in. (118 mm)	4 1/2 in. (115 mm)	3 1/2 in. (89 mm)	3 3/4 in. (96 mm)
6 ft.	3 3/4 in. (96 mm)	3 3/4 in. (96 mm)	4 1/8 in. (105 mm)	4 in. (102 mm)	5 in. (127 mm)	4 3/4 in. (96 mm)	3 5/8 in. (93 mm)	4 in. (102 mm)
7 ft.	4 in. (102 mm)	4 in. (102 mm)	4 3/8 in. (112 mm)	4 1/4 in. (108 mm)	5 1/4 in. (134 mm)	5 1/8 in. (131 mm)	3 3/4 in. (96 mm)	4 1/4 in. (108 mm)
8 ft.	4 1/8 in. (105 mm)	4 1/8 in. (105 mm)	4 5/8 in. (118 mm)	4 1/2 in. (115 mm)	5 5/8 in. (143 mm)	5 1/2 in. (140 mm)	4 in. (102 mm)	4 1/2 in. (115 mm)

Note: For fire-rated fabrics, add 10% to stack height.

