

## Stack Guide

# Serena™ Insulating Honeycomb Shades

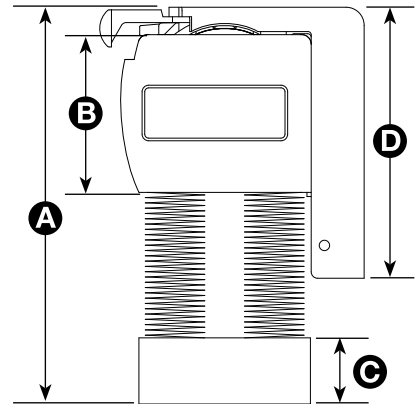
Use these stacking guidelines if you plan on installing your insulating honeycomb shade in a place where you need to raise the entire shade above an obstacle (such as above doors that open). These guidelines will help you determine how high to mount your shade, so that the shade will clear the obstacle when it's fully raised.

**A = Stack height:** the total height of the fully raised shade from the top of the headrail to the bottom of the bottom rail

**B = 1 5/8 inches** (headrail height)

**C = 5/8 inches** (bottom rail height)

**D = 2 5/8 inches** (bracket height)



### Dimensions for A

Your Shade Height	Point Bonded Stack Height		Spun Lace Stack Height			Other Light Filtering Stack Height		
	Light Filtering	Room Darkening	Light Filtering	Room Darkening	Double Cell	Crush	Sheer	Woven
1 ft.	3 in.	3 in.	3 in.	3 in.	3 in.	3 in.	3 in.	3 in.
2 ft.	3 1/4 in.	3 1/4 in.	3 1/4 in.	3 1/4 in.	3 1/8 in.	3 1/4 in.	3 1/4 in.	3 1/4 in.
3 ft.	3 3/8 in.	3 3/8 in.	3 3/8 in.	3 3/8 in.	3 3/8 in.	3 1/2 in.	3 3/8 in.	3 1/2 in.
4 ft.	3 5/8 in.	3 1/2 in.	3 5/8 in.	3 1/2 in.	3 1/2 in.	3 3/4 in.	3 5/8 in.	3 3/4 in.
5 ft.	3 3/4 in.	3 5/8 in.	3 3/4 in.	3 5/8 in.	3 5/8 in.	3 7/8 in.	3 3/4 in.	3 7/8 in.
6 ft.	3 7/8 in.	3 3/4 in.	3 7/8 in.	3 3/4 in.	3 3/4 in.	4 in.	3 7/8 in.	4 in.
7 ft.	n/a	n/a	4 1/8 in.	3 7/8 in.	3 7/8 in.	4 1/4 in.	4 1/8 in.	4 1/4 in.

