

Serena™ IR Cellular Shade

Motorized shade with infrared (IR) control

Installation Guide (please read before installing)

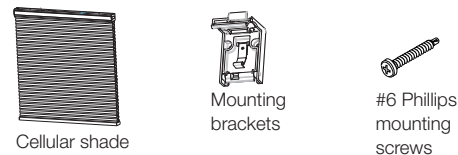
English

Step 1: Review Included Components

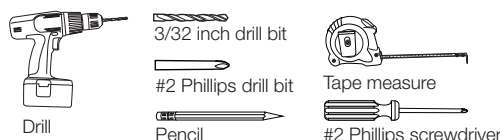
Before you begin, open the box and make sure you have all the necessary parts: the shade, mounting brackets, and screws. Also make sure you have all of the required tools and power sources.

You will also need a cordless drill, a 3/32 inch drill bit, a #2 Phillips bit and screwdriver, a pencil, a tape measure, and 4 or 6 "D" alkaline batteries (depending on the shade's size) if you purchased a battery-powered shade.

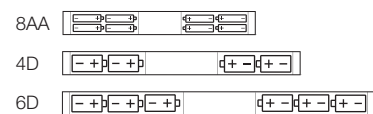
Included:



Tools required:



Batteries:



Wired Power Options:



Individual Power Supply: CSPA-P1-1-6-BL/WH
Input: 110-120 V~ 50/60 Hz 150 mA
Output: 12 V- 500 mA



Power Panel: CSPA-P1-10-6
Input: 120-240 V~ 50/60 Hz 1.5 A
Output: 12 V- 5 A

Step 2: Installing Mounting Brackets

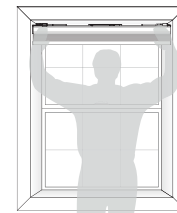
Your shade was manufactured according to the mounting option you chose when ordering your shade. Make sure you follow the appropriate mounting instructions: **Opt. A** inside mount, **Opt. B** outside mount on trim, or **Opt. C** outside mount above trim.

Important:

- ⚠ WARNING** SHOCK HAZARD. Can cause serious injury or death. Read and follow all instructions.
- Save these instructions.
- Make sure you are screwing into wood studs.
- If you're not mounting the brackets into wood studs, you'll need to use appropriate fasteners for the mounting surface (not included).
- Make sure the brackets are aligned with each other. (If not, the shade may not properly snap into the brackets.)

Option 1: Inside Mount: Installing Mounting Brackets

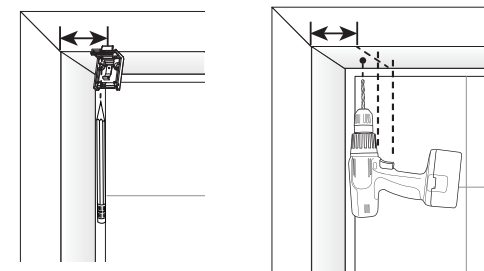
A.1 Hold the shade up to the window to make sure it's the correct size.



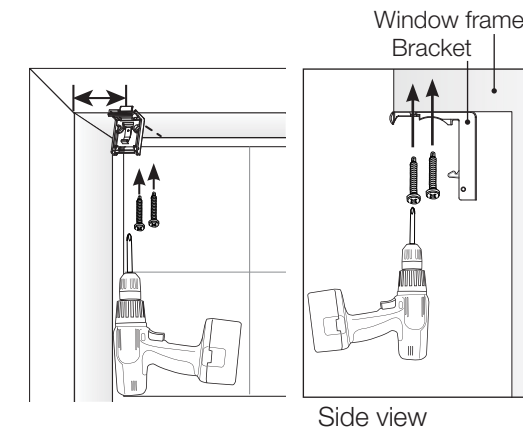
A.2 Use the table below for recommended bracket placement based on the shade width.

Shade width	Recommended Bracket Centerlines
less than 26" 2 brackets	Center brackets above the cord spools spool motor spool
26" to 45" 2 brackets	Center brackets 2" in from each end of the shade 2 in. 2 in.
46" to 72" 3 brackets	Center third bracket 3" to the left of the motor 2 in. 3 in. 2 in. motor
greater than 72" 4 brackets	Center third and fourth brackets above 1/3 of the shade width 2 in. 1/3 w 1/3 w 1/3 w

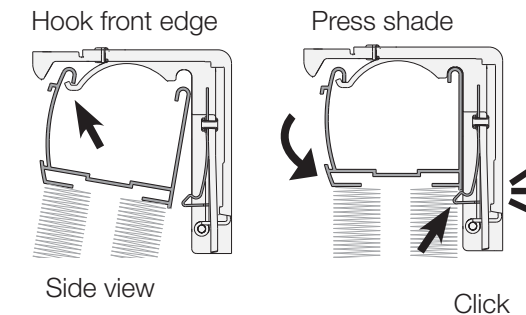
A.3 Center the bracket on the center line and align it with the front edge of the window trim. Mark hole locations and then pre-drill holes for the screws. (Repeat for all brackets.)



A.4 Install the mounting brackets, using the provided screws. Using the cordless drill, drive each screw through the holes in the top of the bracket.

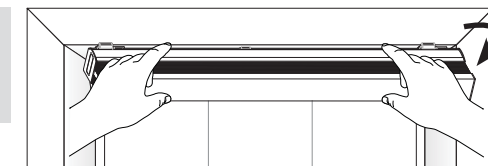


A.5 Install the shade in the brackets. Holding the shade in both hands, tilt the top of the shade slightly toward the window and hook the front edge into the brackets behind the battery release tabs. Then gently tilt the shade down and press the bottom of the headrail until you hear it click into place.



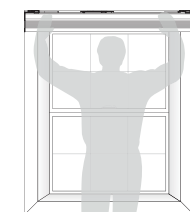
Important:

Be sure not to catch any fabric cells in the brackets.



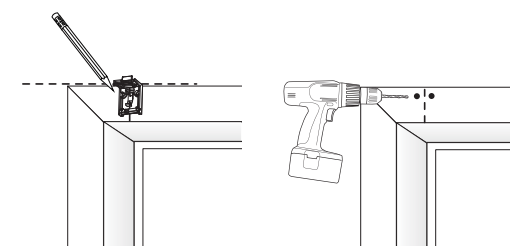
Option B: Outside Mount On Trim: Install Mounting Brackets

B.1 Hold the shade up to the window to make sure it's the correct size. Center the shade and mark the trim at each end of the shade.

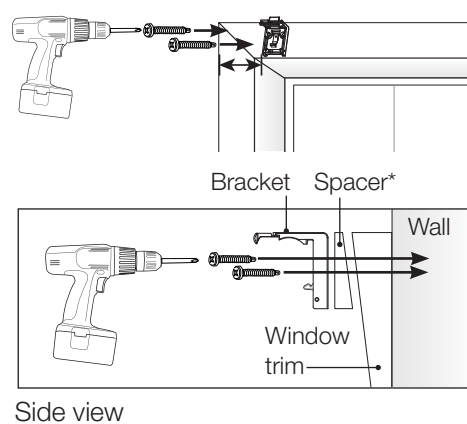


B.2 Refer to step A.2 to mark the center line for each bracket.

B.3 Align the top of the brackets with the top of the trim and the center line. Mark the hole locations and then pre-drill holes for the screws.



B.4 Install the mounting brackets using the provided screws. Place each bracket flush against the trim (using spacers behind brackets if needed) and using the cordless drill, drive each screw through the holes in the bracket.

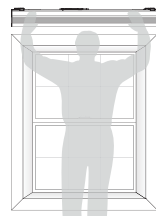


*NOTE: If window trim is angled, or not level vertically, place an angled spacer (not included) behind each bracket. Ensure that the shade is level before placing the bracket flush against the trim. Pre-drill a hole through the spacer as well.

B.5 Refer to step A.5 to install the shade in the brackets.

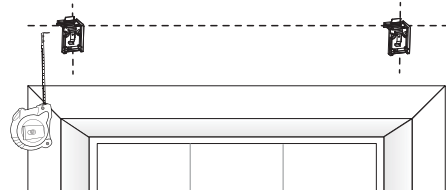
Option C: Outside Mount Above Trim: Installing Mounting Brackets

C.1 Hold the shade up to the window to make sure it's the correct size. Center the shade and mark the trim at each end of the shade.

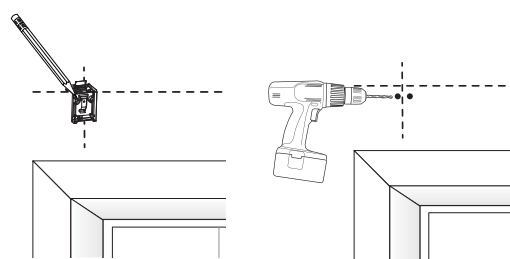


C.2 Refer to step A.2 to mark the center line for each bracket.

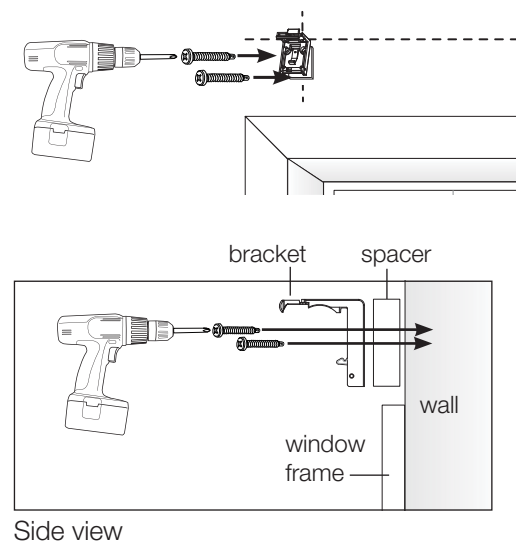
C.3 Center the brackets with the center line, align the top of the brackets with each other and mark their location, making sure they are level.



C.4 Hold the brackets in position, mark the hole locations and then pre-drill the holes for the screws. Place a spacer behind each bracket (to ensure that the shade clears the window trim, if trim is present).



C.5 Place the bracket flush against the spacer and the wall, aligning the holes. Drive a screw through the holes in the bracket and through the spacer.

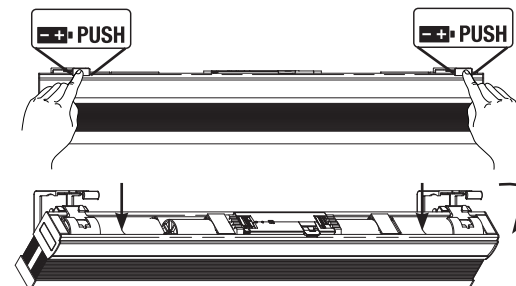


C.6 Refer to step A.5 to install the shade in the brackets.

Step 3A: Installing and Replacing Batteries

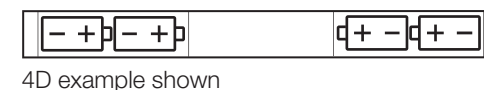
Sivoia® QS Wireless cellular shades use Triathlon™ power technology to achieve a typical battery life of 3 years.* Lutron recommends only using alkaline batteries.

1 Press the battery release tabs (PUSH) above the headrail. The shade will tilt forward, exposing the battery trays.



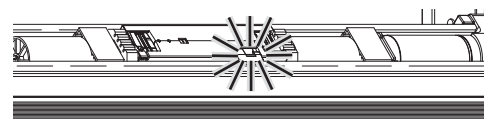
* 3-year battery life based on 2 up and 2 down movements per day assuming a 3 ft. wide by 5 ft. tall shade using light-filtering fabric. Battery life can vary between 2 to 5 years depending on shade size and fabric selection.

2 Install the batteries as indicated in the battery trays (so the + / - signs match). Make sure the batteries are fully inserted in the trays.

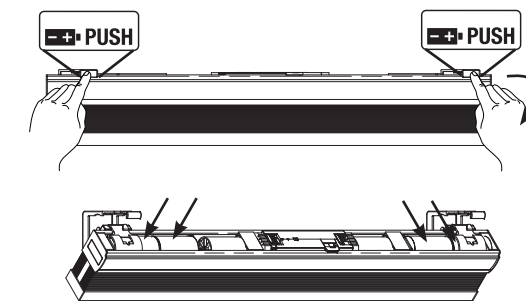


For best battery life, do not mix old and new batteries, use only alkaline D size batteries and alkaline or lithium AA size batteries, and do not mix battery types, use carbon-zinc batteries, or use rechargeable batteries.

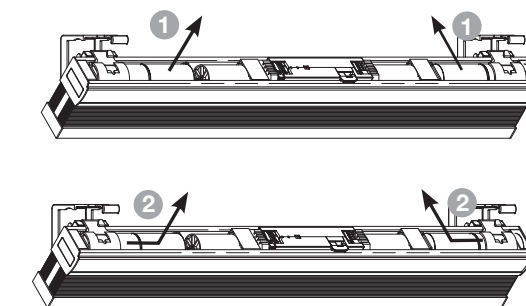
Once all the batteries are in place, the shade button will flash briefly.



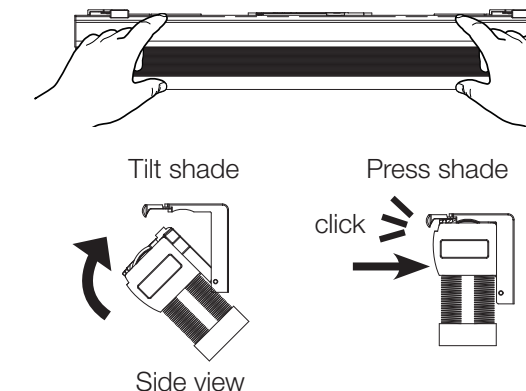
3 To replace the batteries, press the battery release tabs located above the shade headrail. The headrail will tilt forward, exposing the batteries inside of it.



4 Remove all of the batteries from each side of the tray, beginning with the battery that's closest to the middle of the headrail. After you have taken that battery out, slide the next battery over and remove it. Now you can insert the new batteries, following steps 1 and 2 above.



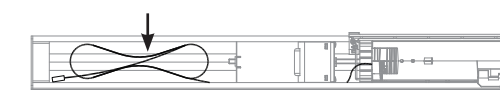
5 Tilt the shade back into the brackets, pressing gently until you hear a click.



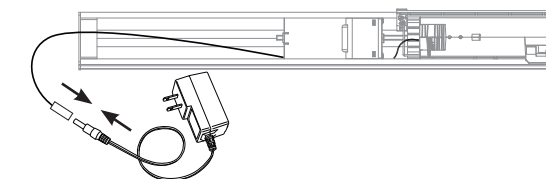
Step 3B: Attaching Power Supply

Note: For wiring instructions from a 10 Output Power Supply, refer to the power panel instruction guide (P/N 045-348).

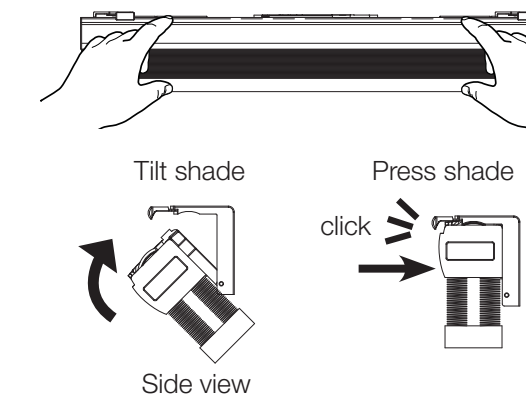
1 Press both battery release tabs (PUSH) above the headrail. The shade will tilt forward, exposing the power cable.



2 Uncoil the cable and plug it into the plug-in power supply.

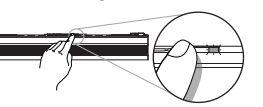

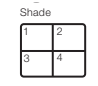


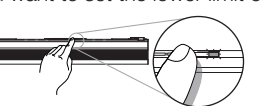
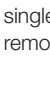
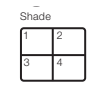
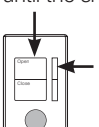
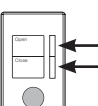
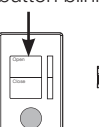
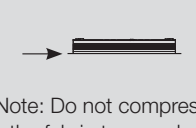
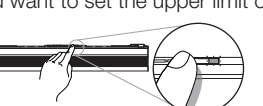
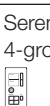
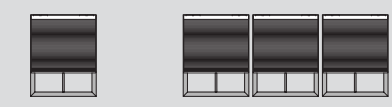
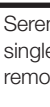
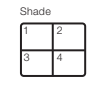
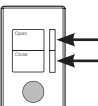
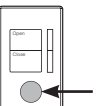



3 Grasp the headrail with both hands and tilt it back into the brackets, pressing gently until you hear a click.



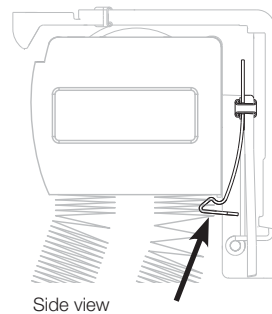
4 Plug the plug-in power supply into an outlet. Your shade is now powered!

Step 4 - Programming Your Shade

Desired action	1. Put the shade into programming mode	2. Select shade group	3. Put the remote into programming mode	4. Adjust settings	5. Save settings	End Result	
1. Assign a remote to the shade (Must be done before the shade will work)	Tap the shade button on the shade you want assigned.  Shade button illuminates green. (Continue to select shade group in 30 seconds or less to avoid timeout.)	Serena IR single group remote  No assignment necessary.	Repeat these steps (tapping the button on the shade and holding the shade button on the remote) for each shade you want in that group. 	Hold the shade button on the remote for the shade you want to assign to that number on the remote. You'll need to hold the button for about 5 seconds, until the button on the Serena shade blinks then turns off.	Use the remote's "Raise" and "Lower" buttons to adjust shade position to the lower limit you prefer.	Hold "Close" button for about 5 seconds, until the shade button blinks and turns off.	You have assigned the remote to the shade. Note: Repeat to assign more remotes.
		Serena IR 4-group remote  Tap the shade button on the shade you want to set the lower limit on. Shade button illuminates green. (Continue to select shade group in 30 seconds or less to avoid timeout.)					
Note: Lower and upper limits are pre-programmed based on your window dimensions, but may need fine-tuning. Allow 24 hours for shade fabric to relax in the closed position before adjusting limits.							
2. Set the shade's lower limit 	Tap the shade button on the shade you want to set the lower limit on.  Shade button illuminates green. (Continue to select shade group in 30 seconds or less to avoid timeout.)	Serena IR single group remote  No shade group selection necessary.	Tap the shade group button for the shades you want to select. 	Hold "Open" and "Raise" buttons for about 5 seconds, until the shade button blinks and remains lit. 	Use the remote's "Raise" and "Lower" buttons to adjust shade position to the upper limit you prefer. 	Hold "Open" button for about 5 seconds, until the shade button blinks and turns off. 	You have set the shade's upper limit.
3. Set the shade's upper limit (optional)  Note: Do not compress the fabric too much. Cells should just be gently closed.	Tap the shade button on the shade you want to set the upper limit on.  Shade button illuminates green. (Continue to select shade group in 30 seconds or less to avoid timeout.)	Serena IR 4-group remote  Tap the shade group button for the shades you want to set the upper limit on.					
4a. Set a favorite shade level (preset) for one shade assigned to the IR remote, or multiple shades assigned to the remote at the same level 	Tap the shade button on the shade you want to set the favorite level on. Shade button illuminates green. (Continue to select shade group in 30 seconds or less to avoid timeout.)	Serena IR single group remote  No shade group selection necessary.	Tap the shade group button for the shades you want to select. 	Hold "Open" and "Raise" buttons for about 5 seconds, until the shade button blinks and remains lit.	Use the remote's "Raise" and "Lower" buttons to adjust shade position to the level you prefer. 	Hold "Favorite" button for about 5 seconds. 	You have set a favorite preset level.
4b. Set a favorite shade level (preset) for multiple shades assigned to the IR remote at different levels 	Tap the shade button on the shade you want to set the favorite level on. Shade button illuminates green. (Continue to select shade group in 30 seconds or less to avoid timeout.)	No shade group selection necessary.					

Removing the Shade From the Brackets

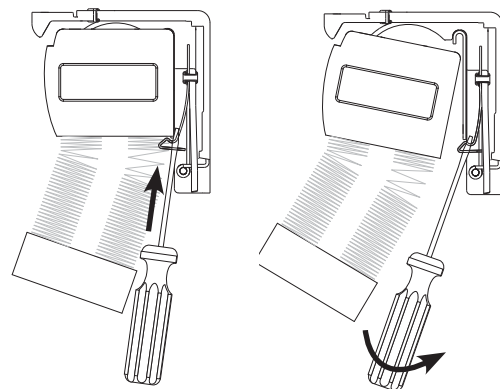
- 1 To completely remove the shade from its brackets, first locate the metal tab on each bracket. The tab is located where the shade fabric meets the headrail on the side closest to the window.



- 2 Insert a small flathead screwdriver through the hole in the metal tab so the tip of the screwdriver is between the headrail and tab.

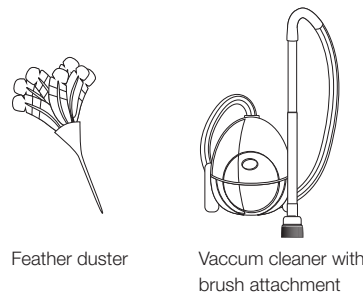
- 3 Rotate the screwdriver until the tab releases the headrail. Repeat for each bracket on the shade.

Once you have released all tabs, you can lift the shade off the brackets.

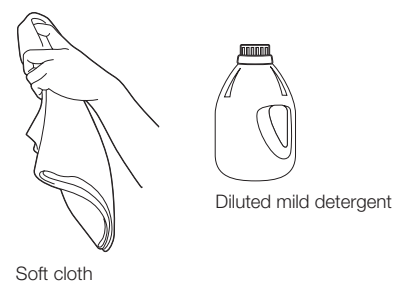


Cleaning the Fabric

- 1 To keep your cellular shades looking their best, regularly brush them with a feather duster or lightly vacuum them with a brush-type attachment.



- 2 If your shades get a spot of dirt or a stain on them, use a clean, soft cloth and a solution of mild detergent and warm water (1 part detergent to 3 parts water) to blot or lightly rub the spot or stain.



Important:

Be extra careful if you're cleaning a blackout fabric because you could permanently crease the fabric.

Also, **do not** use strong detergents or spot removers, and **do not** have your shades professionally dry cleaned.

Troubleshooting

Symptom	Solution	
Shade doesn't power up	Battery powered shade: 1) Ensure batteries are installed correctly. 2) Ensure batteries are fresh.	
	Wired shade: 1) Ensure the wires are properly connected to the drive. 2) Ensure the wires are properly connected to plug-in supply or panel.	
IR remote does not control shade	1) Ensure the remote is pointed directly at the top of the shade and nothing is blocking your view of the receiver. 2) Ensure you are within 30 feet of the shade. 3) For the 4-group remotes, ensure shade is assigned to current group (see Step 4-Programming Your Shade). 4) If shade is battery powered, see "Low Battery Indicator" section. If shade is using a power supply, verify power supply is connected. 5) Check the batteries on the IR remote. 6) Ensure remote is one of the following model numbers: SVITT-CS, SVIT-CSGC, or SVIT-MIR-CS.	
	Shade isn't level	Leave shade in closed position to allow fabric to relax. Time required to relax may vary (up to 24 hours).
	Shade is moving slowly with red LED lit	Indicates that batteries are low and need to be replaced.
	Shade fabric will not reach windowsill	Check lower limit setting. If adjusting lower limit does not fix the issue, then allow fabric to relax.
		Leave shade in closed position to allow fabric to relax. Time required to relax may vary (up to 24 hours). Check the window and shade measurements and the mounting height.
	Shade powers up, but is not moving	Check the shade LED for feedback when a command is sent to the shade. If the LED does not give any feedback: 1) Ensure the drive is powered by pressing the button on the shade to verify it lights up green. 2) Repeat assignment steps located in Step 4: Programming section.
If the LED blinks, contact tech support at 888.445.8063 to resolve the movement issue.		

Low Battery Indicator

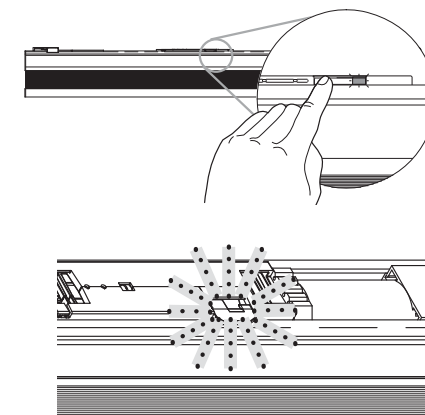
Shade Button Blink Pattern	Description
1 red blink every 5 seconds	The shade cannot move. Batteries need to be replaced.
Red LED on while shade is moving, then off	Shade has only a few motions left. Batteries need to be replaced.
Red LED is on for 5 seconds, then off, after command is sent	Shade "heard" the button press, but cannot move. Batteries need to be replaced.

Restoring the Shade's Factory Settings

This step will remove any controls assigned to the shade as well as any existing programming. It will not affect the shade's upper and lower limits.

Tap the shade button quickly three times, and hold the shade button after the third tap until the button blinks green rapidly.

Immediately tap the shade button quickly three more times, until the shade button blinks green rapidly, then blinks red/green three times, and turns off.



For additional troubleshooting help, visit www.serenashades.com.

If you have any questions regarding your cellular shades please call Serena tech support at 888.445.8063. Our technical support staff are available 24 hours a day, 7 days a week.

SCOPE

This limited warranty ("Warranty") covers the Lutron® supplied (a) Serena™ Shades, (b) Sivoia® Shade Systems ("Sivoia Shade Systems"), (c) manual shade system and (d) alternating current or a/c shade system (each of the foregoing being a "System"). Customer acknowledges and agrees that use of the System constitutes acceptance of all terms and conditions of this Warranty.

LIMITED WARRANTY

Subject to the exclusions and restrictions described below, Lutron warrants that each System will be free from manufacturing defects from the date of shipment by Lutron for a period of (a) one year as to the wall controls, interfaces and system accessories of the Shade System ("External Components") and (b) eight years as to the other Systems and the electronic drive unit, shade fabric and shade hardware of the Shade System. If any manufacturing defect exists in the External Components, so long as Customer promptly notifies Lutron of the defect within the one year warranty period and, if requested by Lutron, returns the defective part(s), Lutron will, at its option, either repair the defective part(s) or provide comparable replacement part(s). If any manufacturing defect exists in any of the components of a System other than the External Components, so long as Customer promptly notifies Lutron of the defect within the eight year warranty period and, if requested by Lutron, returns the defective part(s), Lutron will, at its option, either repair the defective part(s) or issue a credit to the Customer against the purchase price of comparable replacement part(s) purchased from Lutron as provided below:

Number of years from date of shipment	Percentage of cost of replacement parts credited by Lutron
Up to 5	100%
More than 5 but not more than 8	50%
More than 8	0%

Replacement parts for the System provided by Lutron or, at its sole discretion, an approved vendor may be new, used, repaired, reconditioned, and/or made by a different manufacturer.

EXCLUSIONS AND RESTRICTIONS

This Warranty will be void, and Lutron and its suppliers will have no responsibility under this Warranty, if Lutron or its representatives cannot access any components of the System to inspect, diagnose problems with or repair the System or any of its components as a result of concealment or inaccessibility of such components within a building structure.

This Warranty does not cover, and Lutron and its suppliers are not responsible for:

1. Damage, malfunction or inoperability diagnosed by Lutron or a Lutron approved third party as caused by normal wear and tear, abuse, misuse, incorrect installation, neglect, accident, interference or environmental factors, such as (a) use of incorrect line voltages fuses or circuit breakers; (b) failure to install, maintain and operate the System pursuant to the operating instructions provided by Lutron and the applicable provisions of the National Electrical Code and of the Safety Standards of Underwriter's Laboratories; (c) use of incompatible devices or accessories; (d) improper or insufficient ventilation; (e) unauthorized repairs or adjustments or alterations; (f) vandalism; (g) an act of God, such as fire, lightning, flooding, tornado, earthquake, hurricane or other problems beyond Lutron's control; or (h) direct exposure to corrosive materials.
2. On-site labor costs to diagnose issues with, and remove, repair, replace, adjust, reinstall and/or reprogram the System or any of its components.
3. Components and equipment external to the System, such as, non-Lutron lighting and automation systems; building wiring audio-visual equipment; and non-Lutron time clocks, photosensors and motion detectors.
4. The cost of repairing or replacing other property that is damaged when any System does not work properly, even if the damage was caused by the System.

THIS WARRANTY IS IN LIEU OF ALL OTHER EXPRESS WARRANTIES. ALL IMPLIED WARRANTIES, INCLUDING THE IMPLIED WARRANTIES OF MERCHANTABILITY AND OF FITNESS FOR A PARTICULAR PURPOSE, ARE LIMITED TO EIGHT YEARS FROM THE DATE OF SHIPMENT, EXCEPT THAT SUCH IMPLIED WARRANTIES ARE LIMITED TO ONE YEAR FROM THE DATE OF SHIPMENT AS TO THE EXTERNAL COMPONENTS.

NO LUTRON AGENT, EMPLOYEE OR REPRESENTATIVE HAS ANY AUTHORITY TO BIND LUTRON TO ANY AFFIRMATION, REPRESENTATION OR WARRANTY CONCERNING THE SYSTEMS. UNLESS AN AFFIRMATION, REPRESENTATION OR WARRANTY MADE BY AN AGENT, EMPLOYEE OR REPRESENTATIVE IS SPECIFICALLY INCLUDED HEREIN, OR IN STANDARD PRINTED MATERIALS PROVIDED BY LUTRON, IT DOES NOT FORM A PART OF THE BASIS OF ANY BARGAIN BETWEEN LUTRON AND CUSTOMER AND WILL NOT IN ANY WAY BE ENFORCEABLE BY CUSTOMER.

IN NO EVENT WILL LUTRON OR ANY OTHER PARTY BE LIABLE FOR EXEMPLARY, CONSEQUENTIAL, INCIDENTAL OR SPECIAL DAMAGES (INCLUDING, BUT NOT LIMITED TO DAMAGES FOR PERSONAL INJURY, FAILURE TO MEET ANY DUTY, INCLUDING OF GOOD FAITH OR REASONABLE CARE, NEGLIGENCE, OR ANY OTHER LOSS WHATSOEVER), NOR FOR ANY REPAIR WORK UNDERTAKEN WITHOUT LUTRON'S PRIOR WRITTEN CONSENT ARISING OUT OF OR IN ANY WAY RELATED TO THE INSTALLATION, DEINSTALLATION, USE OF OR INABILITY TO USE THE SYSTEM OR OTHERWISE UNDER OR IN CONNECTION WITH ANY PROVISION OF THIS WARRANTY, EVEN IN THE EVENT OF THE FAULT, TORT (INCLUDING NEGLIGENCE), STRICT LIABILITY, BREACH OF CONTRACT OR BREACH OF WARRANTY OF LUTRON OR ANY OTHER PARTY, AND EVEN IF LUTRON OR SUCH OTHER PARTY WAS ADVISED OF THE POSSIBILITY OF SUCH DAMAGES.

NOTWITHSTANDING ANY DAMAGES THAT CUSTOMER MIGHT INCUR FOR ANY REASON WHATSOEVER (INCLUDING, WITHOUT LIMITATION, ALL DIRECT DAMAGES AND ALL DAMAGES LISTED ABOVE), THE ENTIRE LIABILITY OF LUTRON AND OF ALL OTHER PARTIES UNDER THIS WARRANTY ON ANY CLAIM FOR DAMAGES ARISING OUT OF OR IN CONNECTION WITH THE MANUFACTURE, SALE, INSTALLATION, DELIVERY, USE, REPAIR, OR REPLACEMENT OF THE SYSTEM, AND CUSTOMER'S SOLE REMEDY FOR THE FOREGOING, WILL BE LIMITED TO THE AMOUNT PAID BY CUSTOMER FOR THE SYSTEM. THE FOREGOING LIMITATIONS, EXCLUSIONS AND DISCLAIMERS WILL APPLY TO THE MAXIMUM EXTENT ALLOWED BY APPLICABLE LAW, EVEN IF ANY REMEDY FAILS ITS ESSENTIAL PURPOSE.

THIS WARRANTY GIVES YOU SPECIFIC LEGAL RIGHTS. YOU MAY ALSO HAVE OTHER RIGHTS WHICH VARY FROM STATE TO STATE. SOME STATES DO NOT ALLOW LIMITATIONS ON HOW LONG AN IMPLIED WARRANTY LASTS OR THE EXCLUSION OR LIMITATION OF INCIDENTAL OR CONSEQUENTIAL DAMAGES, SO THE ABOVE LIMITATIONS OR EXCLUSIONS MAY NOT APPLY TO YOU.

WARRANTY CLAIMS, TECHNICAL ASSISTANCE AND WARRANTY INFORMATION

Contact the Lutron Technical Support Center at the numbers provided below or your local Lutron sales representative with questions concerning the installation or operation of the System or this Warranty, or to make a warranty claim. Please provide the exact model number when calling.

USA and Canada (24 hrs/7days)
(800) 523-9466
Other countries (8 a.m. – 8 p.m. ET)
(610) 282-3800
Fax (610) 282-3090
<http://www.lutron.com>

Lutron Technical Support

Contact Lutron Technical Support at the numbers provided below or your local Lutron sales representative with questions concerning the installation or operation of the System or this Warranty, or to make a warranty claim. Please provide the exact model number when calling.

Lutron, the Sunburst logo, Sivoia, seeTouch, RadioRA, HomeWorks, and Pico are registered trademarks of Lutron Electronics Co., Inc. Serena is a trademark of Lutron Electronics Co., Inc.

Worldwide Headquarters | USA

Lutron Electronics Co., Inc.
7200 Suter Road
Coopersburg, PA 18036-1299 USA
TEL: 1.610.282.3800
FAX: 1.610.282.3090
Technical Support: 888.445.8063
Toll Free: 1.888.LUTRON1
EMAIL: shadinginfo@lutron.com
WEB: www.lutron.com/shadingsolutions

Europe Headquarters | United Kingdom

Lutron EA Ltd
6 Sovereign Close
London, E1W 3JF, UK
TEL: +44.(0)20.7702.0657
FAX: +44.(0)20.7480.6899
Technical Support: +44.(0)20.7480.6899
FREEPHONE: 0800.282.107

Asian Headquarters | Singapore

Lutron GL Ltd
15 Hoe Chiang Road
#07-03
Singapore, 089316
TEL: +65.6220.4666
FAX: +65.6220.4333
Technical Support: 800.120.4491

©03/2012 LUTRON Electronics Co., Inc.
P/N 045-347 REV. F