

Serena® Cable Guided Insulating Honeycomb Shades

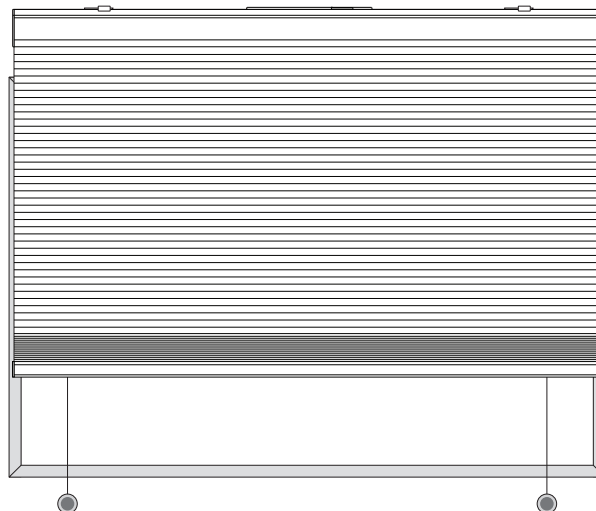
Sivoia® QS Wireless Cable Guided Insulating Honeycomb Shades

Lutron cable-guided honeycomb shades move smoothly and quietly along vertical cables that are mounted to the outside of a door or a window frame. These cables prevent shades from swaying, and are ideal for doors or areas of heavy airflow.

Features

- Battery powered and wired power models available
- 3-year battery life*
- Easy installation and maintenance
- Built in wireless communication using ClearConnect™ technology
- Insulating properties up to an R Value of 4.3, depending on fabric

* 3-year battery life based on 2 up and 2 down movements per day assuming a 3 ft. wide by 5 ft. tall shade using light-filtering fabric. Battery life can vary between 2 to 5 years depending on shade size and fabric selection.



Specifications

Regulatory

- cULus listed (E135084)
- FCC (USA)
- IC (Canada)
- CFT (Mexico)
- CRC (Columbia)
- SUTEL (Costa Rica)
- ANATEL (Brazil)
- SUPERTEL (Ecuador)
- C-Tick (New Zealand)
- CMIIT (China)
- IDA (Singapore)
- CE (European Union)
- TRA (UAE)

Ratings

- Operating Voltage: 6-12V^{DC}
- Operating Wattage: 5 W
- Torque: 2.5 in•lb
- Speed: 1.8 in/sec

Environment

- Temperature: 32° F to 104° F (0° C to 40° C)
- For indoor use only
- Relative Humidity: <90% non-condensing

Compatible Controls

Serena Models

- Pico® wireless control

Sivoia QS Wireless models

- Pico® wireless control
- seeTouch® RF keypads
- GRAFIK Eye® QS
- RadioRA 2®
- HomeWorks® QS

Job Name:	Model Numbers:
Job Number:	

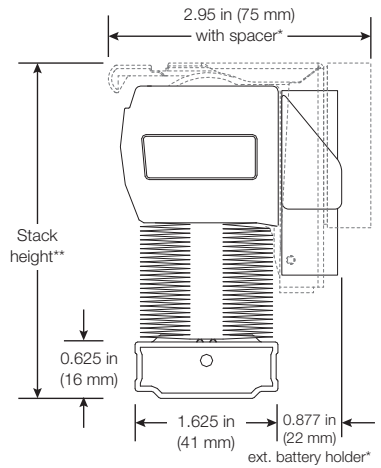
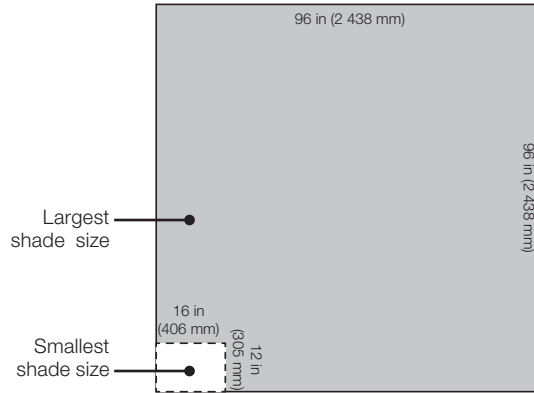
System Dimensions

Shade Width

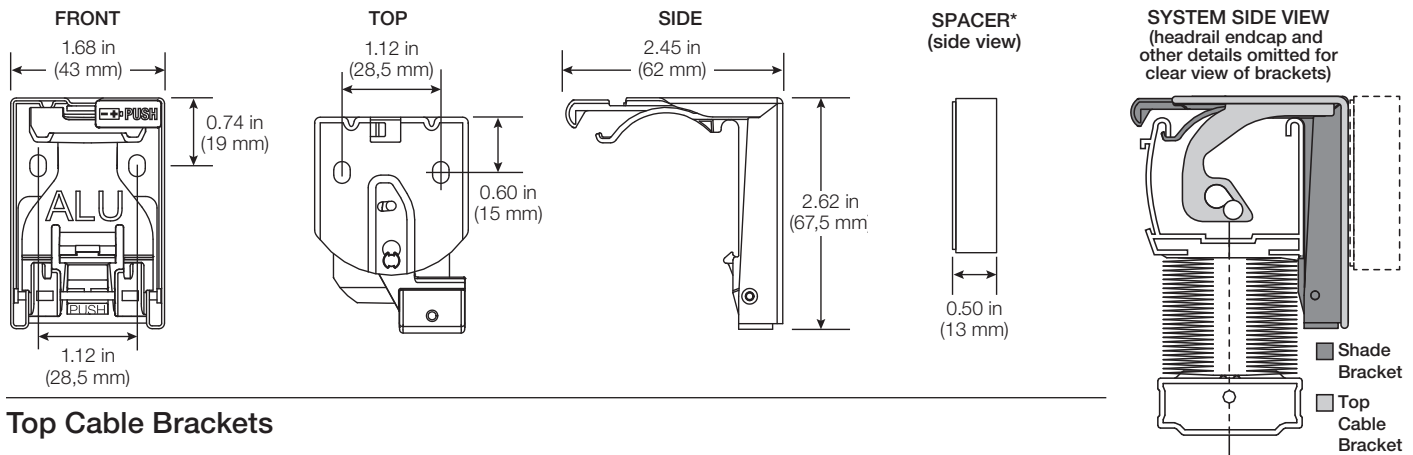
Minimum	Maximum
16 in (406 mm)	96 in (2 438 mm)

Shade Height

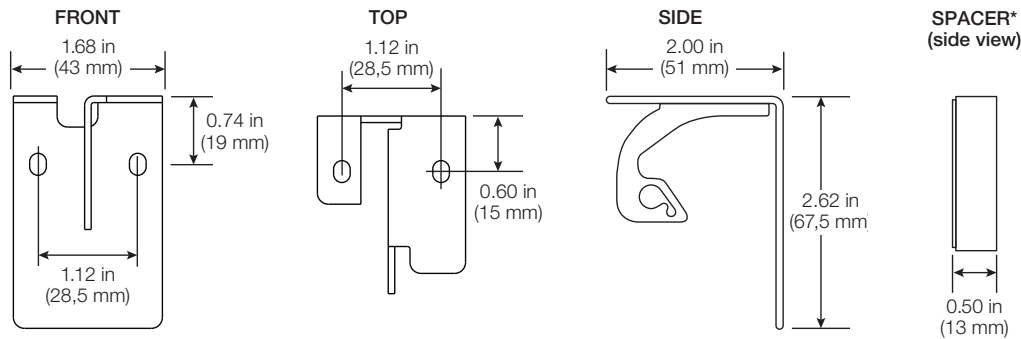
Minimum	Maximum
12 in (305 mm)	96 in (2 438 mm)



Tap 'n' Tilt Shade Brackets:



Top Cable Brackets



Bottom Cable Anchors



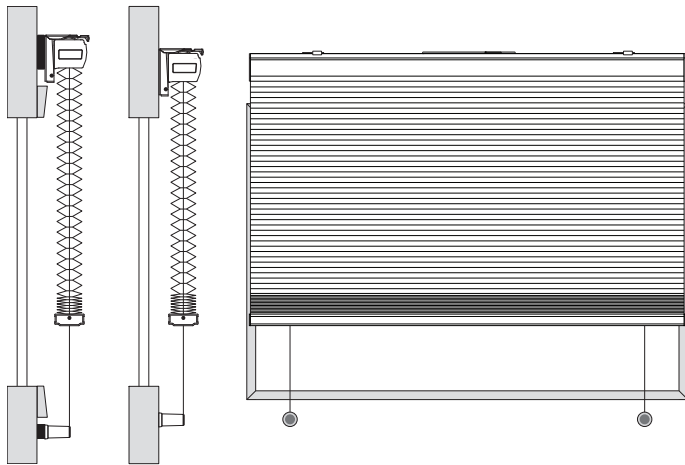
* Spacers are included when outside-mount above/below trim is indicated on the original order, and/or the shade is equipped with an external battery holder. (See 'Mounting' on page 3 and 'Battery requirements by shade size and fabric' on page 4.)

** Total height of the fully raised shade from the top of the bracket to the bottom of the bottom rail. For details, see [Serena Stack Guidelines.pdf](#)

Job Name:	Model Numbers:
Job Number:	

Mounting

The system is designed to be outside-mounted on a windowed door with or without trim. Mounting bracket spacers are included when mounting above/below trim is indicated on the original order.



Brackets included by shade size and fabric

Shade Width/Fabric Option		Number of Brackets
Cypress • Monaco • Sedona	Rio • Napa • Prague	
16 in - 45in (406 mm - 1143 mm)	16 in - 50in (406 mm - 1270 mm)	2
45 ¹ / ₈ in - 69 in (1146 mm - 1753 mm)	50 ¹ / ₈ in - 74 in (1273 mm - 1880 mm)	3
69 ¹ / ₈ in - 96 in (1756 mm - 2438 mm)	74 ¹ / ₈ in - 96 in (1883 mm - 2438 mm)	4

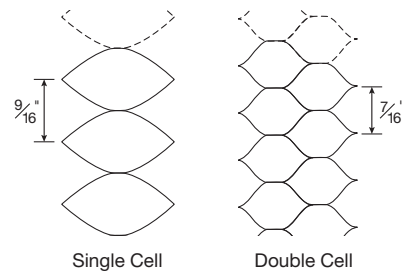
Fabric Options

Lutron Insulating Honeycomb Shades are available in a wide variety of types:

Fabric Type	Collection(s)	R Value
Light-Filtering Single-Cell		
Point Bonded*	Cypress	3.5
Spun Lace	Monaco, Rio	3.5
Sheer	Sedona	0.7
Crush	Napa	3.4
Woven	Prague	0.9
Light-Filtering Double-Cell		
Spun Lace	Monaco, Rio	3.6
Room-Darkening		
Point Bonded*	Cypress	4.3
Spun Lace	Monaco, Rio	4.3

* Available with fire rated option

Honeycomb Options (profile view)



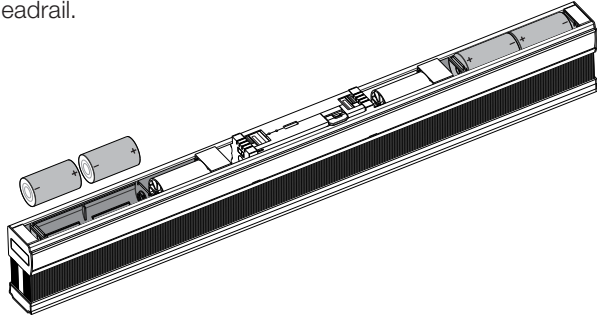
Cell height shown is for general reference only. Cell-to-cell distance will vary along the height of an actual shade.

Job Name:	Model Numbers:
Job Number:	

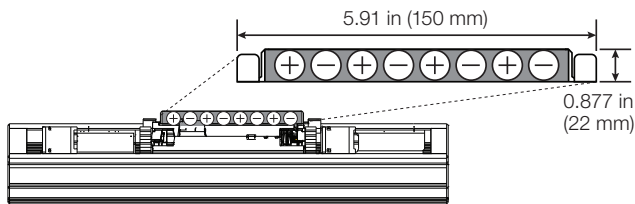
Power Options

Battery power

- Batteries are not included.
- Type and quantity vary with shade size and fabric choice (see table below).
- The battery holders are typically located within the headrail.



- Shades that are not wide enough to include battery holders within the headrail have a battery holder located on the back of the headrail. Mounting bracket spacers are included to provide additional rear clearance.



For detailed information about battery requirements please see the following table:

Battery requirements by shade size and fabric

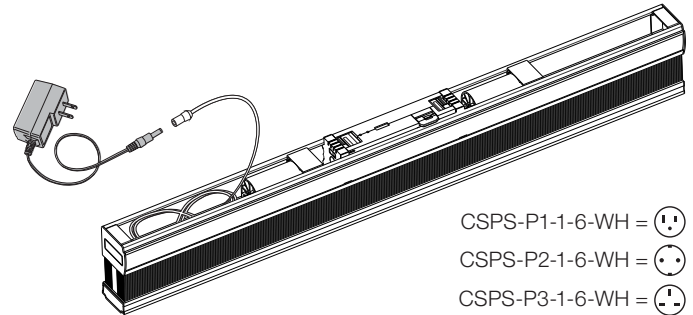
Shade Width*/Fabric Option		Batteries Required
Cypress • Monaco • Sedona	Rio • Napa • Prague	
16 in - 23½ in (406 mm - 597 mm)	16 in - 23⅞ in (406 mm - 606 mm)	(8) AA-Cell Lithium (external holder)
23⅝ in - 26¾ in (600 mm - 679 mm)	24 in - 28⅞ in (610 mm - 714 mm)	(8) AA-Cell Lithium (in headrail)
26⅞ in - 31⅝ in (683 mm - 803 mm)	28¼ in - 33⅛ in (718 mm - 841 mm)	(4) D-Cell Alkaline
31¼ in - 84 in† (806 mm - 2134 mm)	33¼ in - 84 in†† (845 mm - 2134 mm)	(6) D-Cell Alkaline
84⅞ in - 96 in (2137 mm - 2438 mm)	84⅞ in - 96 in (2137 mm - 2438 mm)	(8) D-Cell Alkaline

† When the shade height is 72 in (1829 mm) or more, 8 D-Cell batteries required.

†† When the shade height is 82 in (2083 mm) or more, 8 D-Cell batteries required.

Plug-in power supply

- CSPS-XX-1-6-WH available separately.
- Includes 15 ft (4572 mm) power wire
- Wiring compartment can be located on either side.



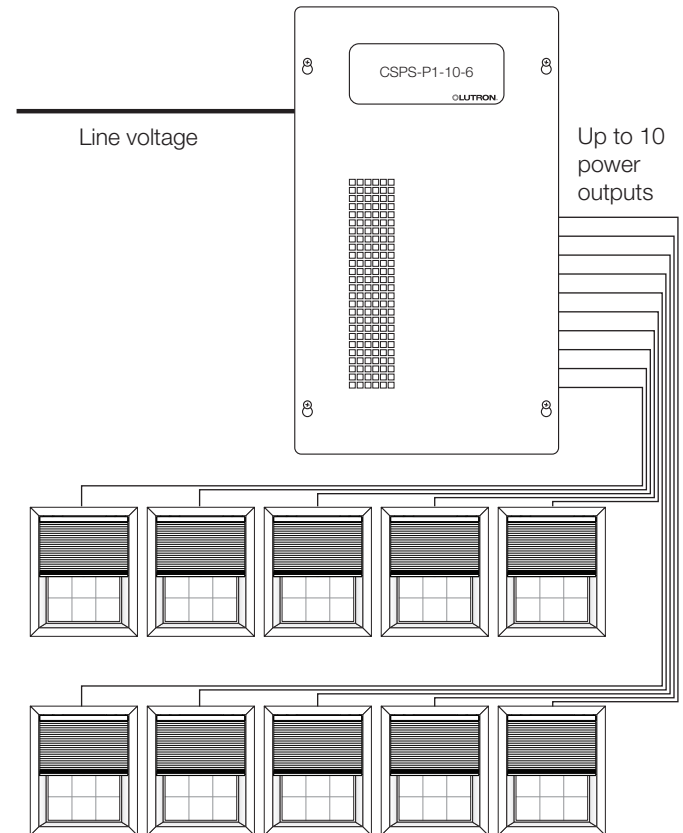
CSPS-P1-1-6-WH = ☹

CSPS-P2-1-6-WH = ☹☹

CSPS-P3-1-6-WH = ☹☹☹

Power panel*

CSPS-P1-10-6 available separately.



* Secondary wiring must be of type CL2, CL2P, CL2R, CL2X or other cable with equivalent or better electrical, mechanical, and flammability ratings in accordance with local and national electric code.

Job Name:	Model Numbers:
Job Number:	