

Serena Roller Shades

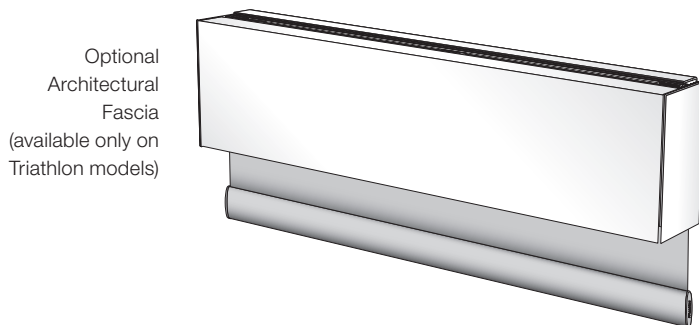
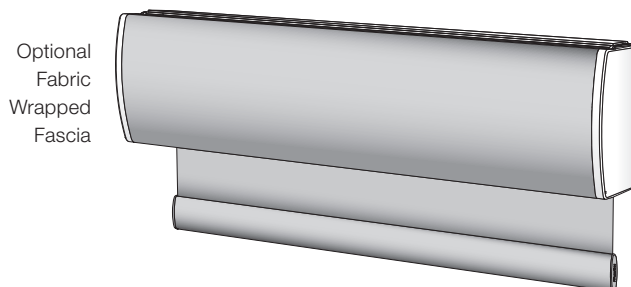
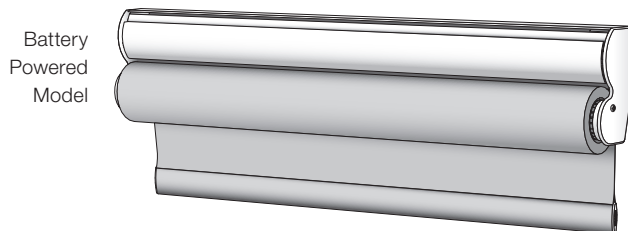
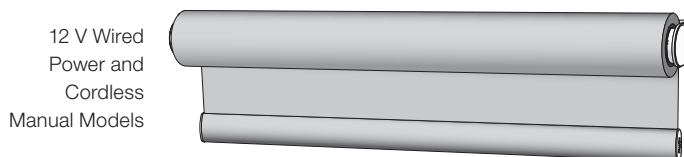
Sivoia QS Triathlon Roller Shades

Lutron remote-controlled roller shades start, move, and stop smoothly and quietly, providing privacy and light control at the touch of a button.

Features

- Battery-powered, wired power, and cordless manual models available
- Industry leading battery performance*
- Ultra-quiet operation: 38 dBA measured 3 ft (1 m) from the drive
- Precise drive is capable of stopping at 0.125 in (3 mm) intervals throughout the entire travel of the shade
- Triathlon drive technology maintains accurate hembar alignment by compensating for fabric weight and battery voltage
- Easy installation and maintenance
- Built in wireless communication using ClearConnect RF technology
- Wireless control range: 30 ft (9 m)

* Battery performance details are available in your shade ordering tool.



Specifications

Regulatory

- cULus listed (E135084)
- FCC (USA)
- IC (Canada)
- CFT (Mexico)
- CE Mark (European Union)
- FCC Certified (Hong Kong)

Ratings

- Operating Voltage: 6-12 V $\overline{=}$
- Operating Wattage: 5 W
- Torque: 2.0 in•lb
- Speed: 3.6 in/sec

Compatible Controls

Serena Models

- Pico wireless control
- 4-Group RF Shade Remote Control
- Caséta

Sivoia QS Triathlon Models

- Pico wireless control
- 4-Group RF Shade Remote Control
- seeTouch RF keypads
- GRAFIK Eye QS
- RadioRA 2
- HomeWorks QS
- Caséta

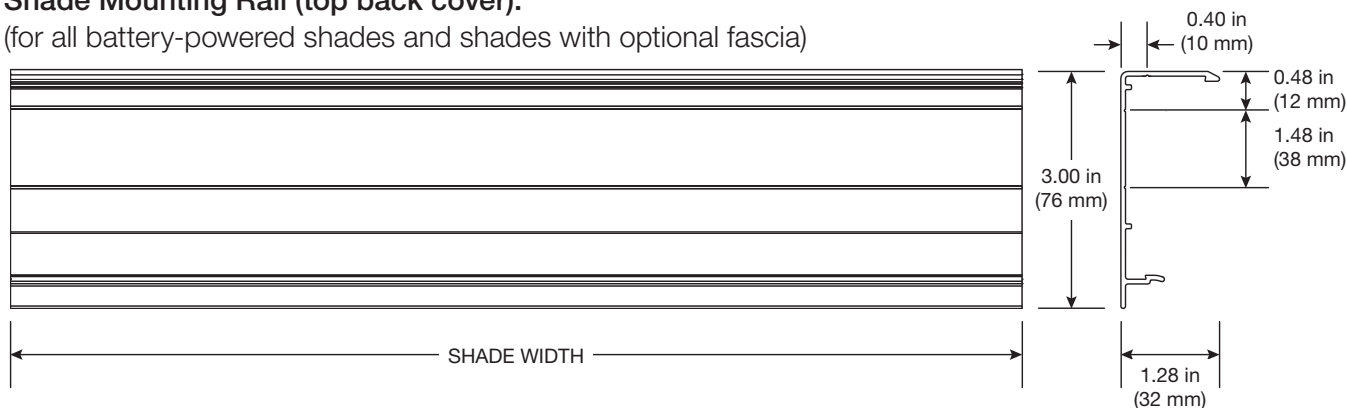
Environment

- Temperature: 32° F to 104° F (0° C to 40° C)
- For indoor use only
- Relative Humidity: <90% non-condensing

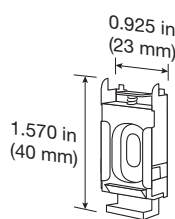
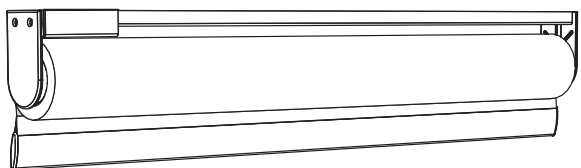
Job Name:	Model Numbers:
Job Number:	

Shade Mounting Rail (top back cover):

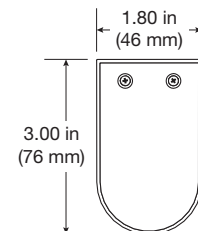
(for all battery-powered shades and shades with optional fascia)



Wired Power and Cordless Manual Models

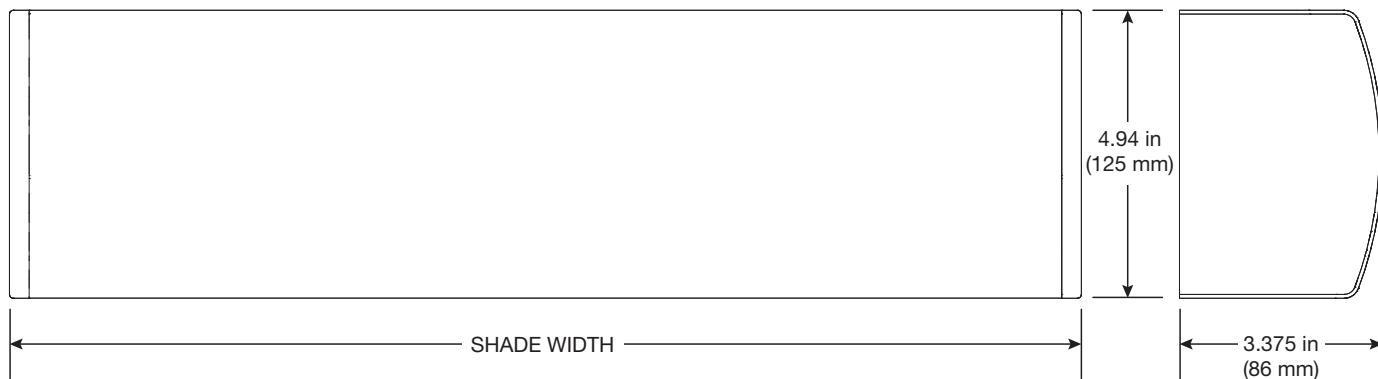


Mounting Bracket

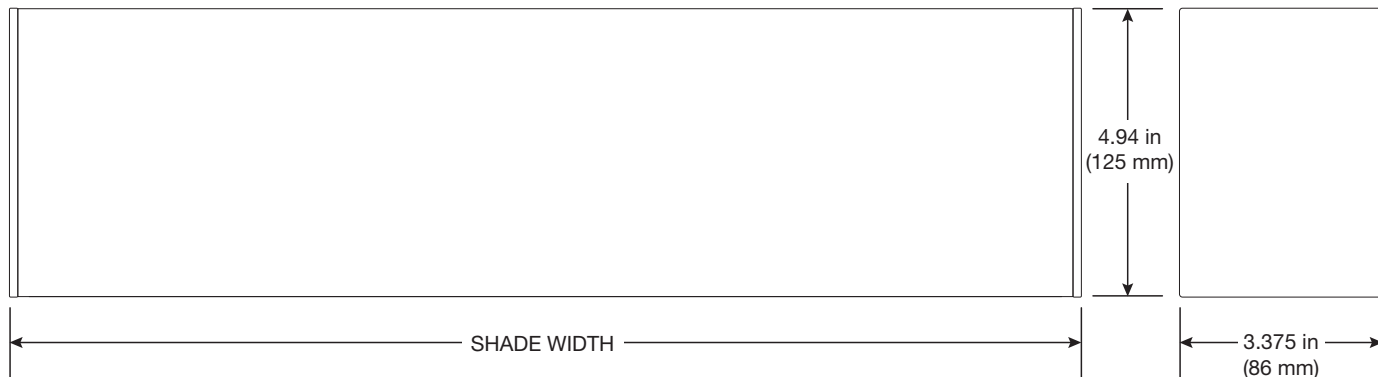


Shade Bracket

Optional Fabric Wrapped Fascia:



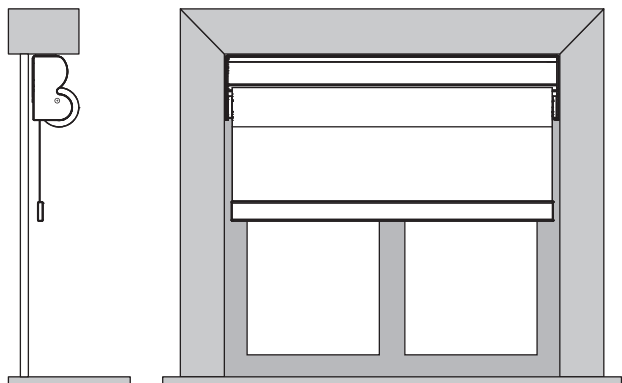
Optional Architectural Fascia (Sivoia QS Triathlon shades only):



Job Name:	Model Numbers:
Job Number:	

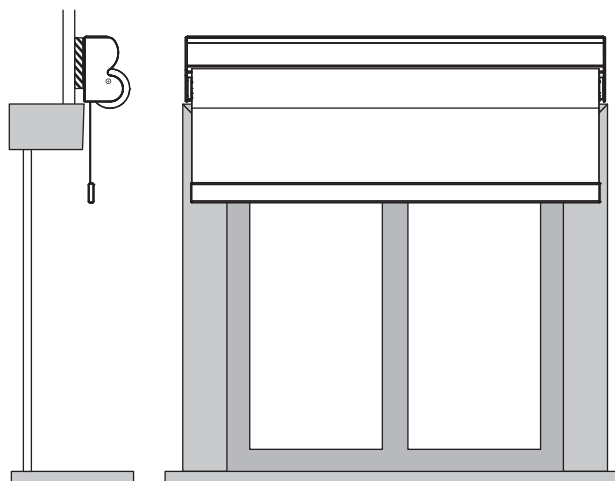
Mounting Options

Depending on the window dimensions, the shade can be mounted inside the window frame or outside the window frame.



INSIDE MOUNT

The window jamb must be at least 3 in (76 mm) deep to fully recess the shade. With optional fascia, the window jamb must be at least 3.5 in (76 mm) deep to fully recess the shade and the fascia.

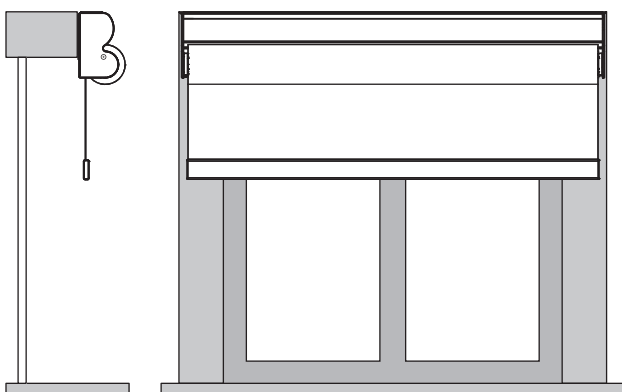


OUTSIDE MOUNT ABOVE TRIM

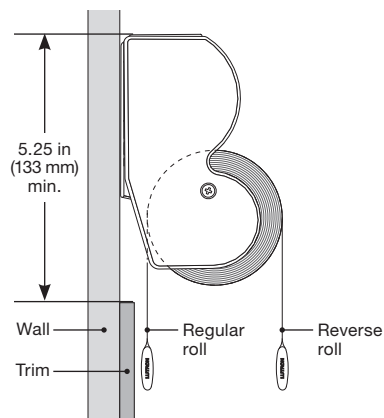
Spacer blocks are included when outside mount above trim is indicated.

Depending on the size of the shade and the depth of the trim, or the roll direction of the shade, it may be possible to mount the shade directly to the wall above the trim without using the spacer blocks.

In this arrangement, the top of the shade mounting rail (top back cover) must be a minimum of 5 1/4 in (133 mm) above the top of the trim, as shown below.



OUTSIDE MOUNT ON TRIM



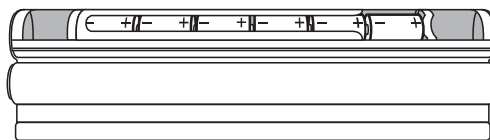
NOTE: Optional fascia not available with reverse roll.

Job Name:	Model Numbers:
Job Number:	

Power Options

Battery power

- Batteries are not included.
- D-Cell Alkaline batteries required.
Quantity varies with shade size and mounting configuration.



Shade Width	Batteries Required	
20 1/2 in (521 mm) to 25 15/16 in (659 mm)	6 D-Cell Alkaline	
26 in (660 mm) to 37 9/16 in (954 mm)	8 D-Cell Alkaline	with Battery Boost Option
37 5/8 in (956 mm) to 47 1/16 in (1195 mm)	8 D-Cell Alkaline	12 D-Cell Alkaline
47 1/8 in (1197 mm) to 96 in (2438 mm)	8 D-Cell Alkaline	16 D-Cell Alkaline

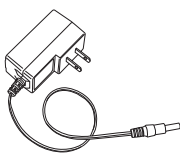
NOTES: The width ranges shown above are for an outside-mount shade without fascia.

Battery Boost option is available for shades wider than 37 1/2 in (953 mm). The Battery Boost feature adds a second battery holder for extended battery life in larger shades and high-use applications.

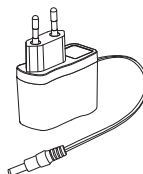
To maintain performance specifications in buildings with 20 or more Lutron Radio Powr Savr Sensors, Lutron recommends powering shades with a wired power supply.

Plug-in power supply

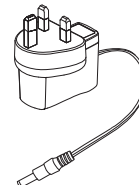
- Available separately.
- Shades ordered with wired power include a 15 ft (4.5 m) power wire.



CSPS-P1-1-6-WH = (⊕)



CSPS-P2-1-6-WH = (⊙)

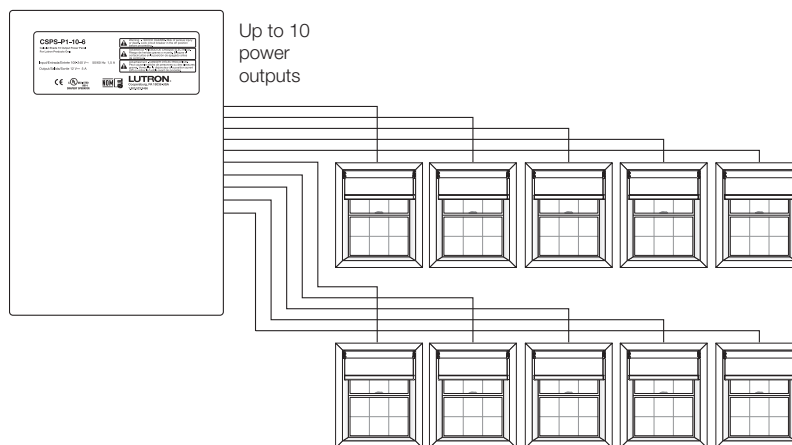


CSPS-P3-1-6-WH = (⊖)

Power panel*

10-output power supply,
CSPS-P1-10-6 available separately.

- Input Voltage:** 120-240 V~
- Max. input current:** 1.5 A
- Operating frequency:** 50/60 Hz
- Output Voltage:** 12 V
- Output Current:** 5 A
- ESD Protection:** (+/-) 16 kV



* Secondary wiring must be of type CL2, CL2P, CL2R, CL2X or other cable with equivalent or better electrical, mechanical, and flammability ratings in accordance with local and national electric code.

Job Name:	Model Numbers:
Job Number:	